



Pressure and temperature

Liquid Filled Pressure Gauge

610EVO



63mm Pressure Gauge Liquid Filled Pressure
Direct Mounting
Bottom and Back Connection



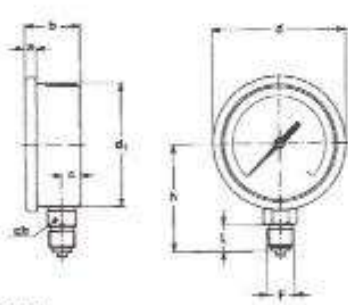
Special features (Standard Version):

- Stainless steel case with copper alloy internal parts
- Protection degree IP67
- Glycerine filled
- Accuracy up to 1.6%
- Designed to EN837-1
- Back or bottom thread connection
- 1/4" BSP thread
- Fitted with Restrictor

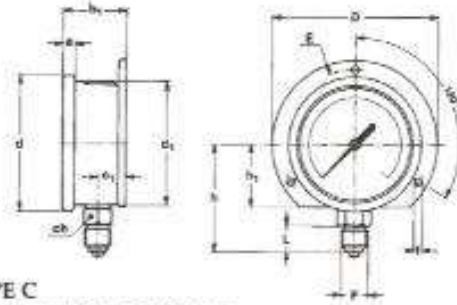
Case	AISI 304 SS
Crimped Bezel	AISI 304 SS
Bourdon Tube	Copper Alloy
Socket	Copper Alloy
Window	Plexi Glass
Dial	Aluminium
Pointer	Aluminium
Micro-adjustable Pointer	Aluminium (100mm & 150mm only)
Blow Out Vent	EPDM
Gasket	Silicone Rubber
Movement	Copper & Stainless Steel
Ranges	Vacuum and Compound. Pressure from 0.6 to 1600 BAR (0-15 to 0-30000 PSI)

EVO Instrumentation Ltd. 31a Coppice Trading Estate,
Off Stourport Road, Kidderminster, Worcs, DY11 7QY,
Tel: 01562 741212 Fax: 01562 741666
Email: sales@evoinstrumentation.co.uk
Web: www.evoinstrumentation.co.uk
Reg no: 1916635 England

Dimensions



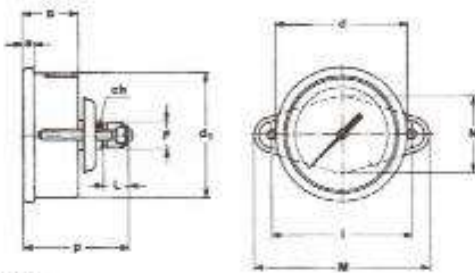
TYPE A
stem mounting;
lower connection.



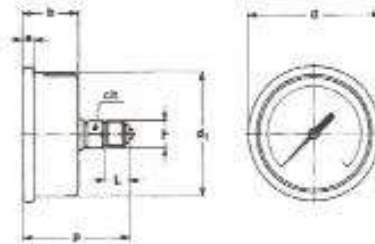
TYPE C
surface mounting, back flange;
lower connection.

MODEL	DS	TYPE	a	b	b ₁	c	c ₁	d	d ₁	f	h ₁	D	E	Weight (Kg.)
01.10.2 (fillable)	63	A-C	5,6	28	32	10	14	68	62,6	3,6	32	85	75	0,13-0,17
01.10.3 (filled)	63	A-C	5,6	28	32	10	14	68	62,6	3,6	32	85	75	0,2-0,24

(dimensions : mm.)



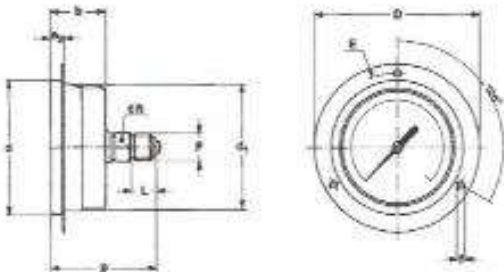
TYPE B
flush mounting, Bar-Clamp;
back connection.



TYPE D
stem mounting;
back connection.

MODEL	DS	TYPE	a	a ₁	b	d	d ₁	f	i	D	E	M	N	Weight (Kg.)
01.10.2 (fillable)	63	B-D-E	5,6	6,6	28	68	62,6	3,6	72	85	75	90	38	0,18-0,14-0,17
01.10.3 (filled)	63	B-D-E	5,6	6,6	28	68	62,6	3,6	72	85	75	90	38	0,25-0,21-0,24

(dimensions : mm.)



TYPE E
flush mounting, front flange;
back connection.

F	Code	L	ch	h	p
1/4" BSP	21M	13	14 x 8	54,3	53,8
1/4" NPT	23M	13	14 x 8	54,3	53,8
1/4" BSP tapered	22M	13	14 x 8	54,3	53,8
1/4" SAE	24M	14	14 x 9	56,3	55,8
1/8" BSP	11M	10	14 x 10	53,3	52,8
1/8" NPT	13M	10	14 x 10	53,3	52,8
M10 x 1	86M	10	14 x 10	53,3	52,8

(dimensions : mm.)

Note: Drawings are not to scale. All Dimensions are in mm

Options:

Various options are available:

- 'U'-Clamp for back connection gauges
- Back flange for bottom connection gauges
- Front flange for back connection gauges
- Aluminum dial (may require minimum order amount)
- Dry fillable
- Suitable for silicone filling
- Silicone filling
- Tempered glass window

EVO Instrumentation reserves all rights to make modifications to the product.

EVO Instrumentation Ltd. 31a Coppice Trading Estate,
Off Stourport Road, Kidderminster, Worcs, DY11 7QY,
Tel: 01562 741212 Fax: 01562 741666
Email: sales@evoinstrumentation.co.uk
Web: www.evoinstrumentation.co.uk
Reg no: 1916635 England